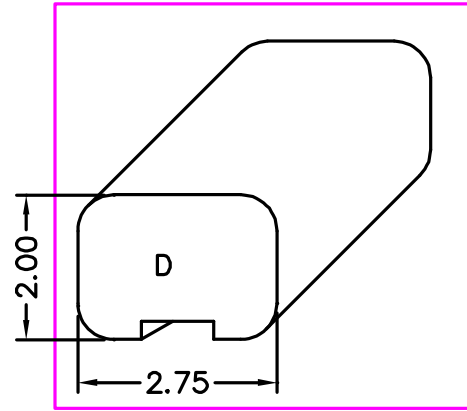
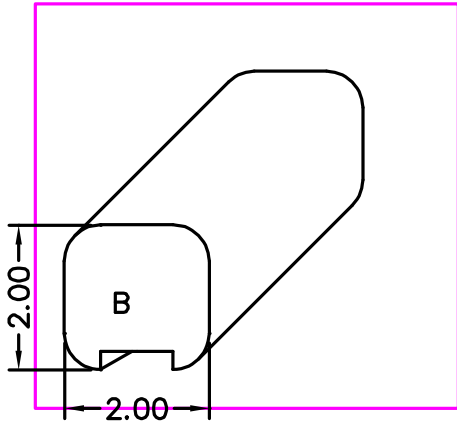


EXTRA  
COST



OK VEL  
7-1-06

SPIRAL STAIRS OF AMERICA 1700 SPIRAL COURT, ERIE, PA 16510	
HANDRAIL OPTIONS	
DR. BY: M.TERELLA	DATE: 06/29/2006
DWG. NO. :SKA-01	SCALE: 1 : 2